



CEILING BRACKET

CB1

INSTALLATION MANUAL: 090003-2883D700

ENGLISH

INSTALLATION MANUAL

- Be sure to read this installation manual thoroughly prior to installation.
- If installation methods or non-standard parts not specified in this installation manual are used, accidents or injury may result.
- Specialized techniques and expertise are required in order to install the speaker that this product is installed to. Be sure to ask a qualified technician to carry out installation work.
- Installation of the speaker should always be carried out by two or more people.

Be sure to keep this manual after the installation for later reference.

To the installing technician:

After all installation and connection work has been completed, please give this installation manual to the customer. The installation screws used for installing the bracket and wires to the ceiling are not provided as accessories with this product. (Bracket installation hole diameter: 7 mm)

Contents

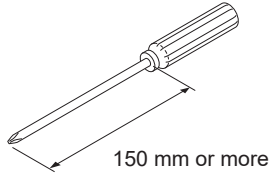
Tools used	2
Accessories	2
For your safety in using this product	3
Cautions on use	3
When performing the installation	4
Installation	4

DENSO TEN

Tools used

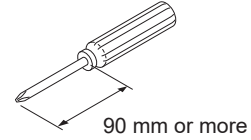
Have the following tools ready before commencing installation work.

Used for TD510



• Phillips screwdriver (Plus tip)

Used for TD508 II



• Phillips screwdriver (Plus tip)



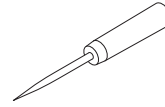
• Allen key
(Supplied with speaker, used for speaker angle adjustment)



• Allen key
(Nominal size 3 mm)
(For neck holding bolt)



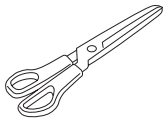
• Allen key
(Nominal size 1.5 mm)
(For cover wire)



• Awl
(or drill)



• Stubby screwdriver
(Plus tip)



• Scissors



• Tape
(Paper tape or similar)



• Screw
(For installing bracket to ceiling)
X3 or more

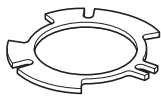


• Screw
(For securing drop-prevention wire to ceiling)
X1

Accessories

Check that all of the following accessories are present before installation. Ceiling installation screws are not included.

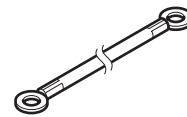
CB1 components



① Spacer X1



② Bracket X1



③ Wire X1



④ Screw (binding M5 x 8) X4





⑤ Screw (TD510 for wires) (binding M4 x 8) X1





⑥ Screw (TD508 II for wires) (binding M5 x 8) X1

For your safety in using this product


The following WARNING and CAUTION signs are used throughout this manual as well as on the product. These signs alert the installer and users of important safety information to avoid risk of injury and damages to the product. Please become familiar with these symbols and their associated information before proceeding to the assembly instructions of this manual.

	Warning	This "Warning" sign indicates a situation in which incorrect handling may result in death or serious personal injury.
	Caution	This "Caution" sign indicates a situation in which incorrect handling may result in personal injury or may result solely in damage to property.

	Tip	This section contains information that can help to prevent problems and damage to the unit, and also contains other useful information.
---	------------	---

 **Warning**

- If installing this unit high up off the floor, be sure to secure it adequately in place. If it is not secured adequately, it may fall down and cause injury.
- Check the structure of installation location to make sure that the materials used are strong enough to bear the combined weight of the speaker and ceiling bracket. If the installation location is not strong enough, the speaker may fall down due to vibration, and serious injury could result.
- Accessory parts including wires are provided as a safety measure to prevent the speaker from falling down once it has been installed. Be sure to attach these wires to ensure safety. If this is not done, the screws may become loosened due to vibration, and the speaker may fall down and serious injury could result.

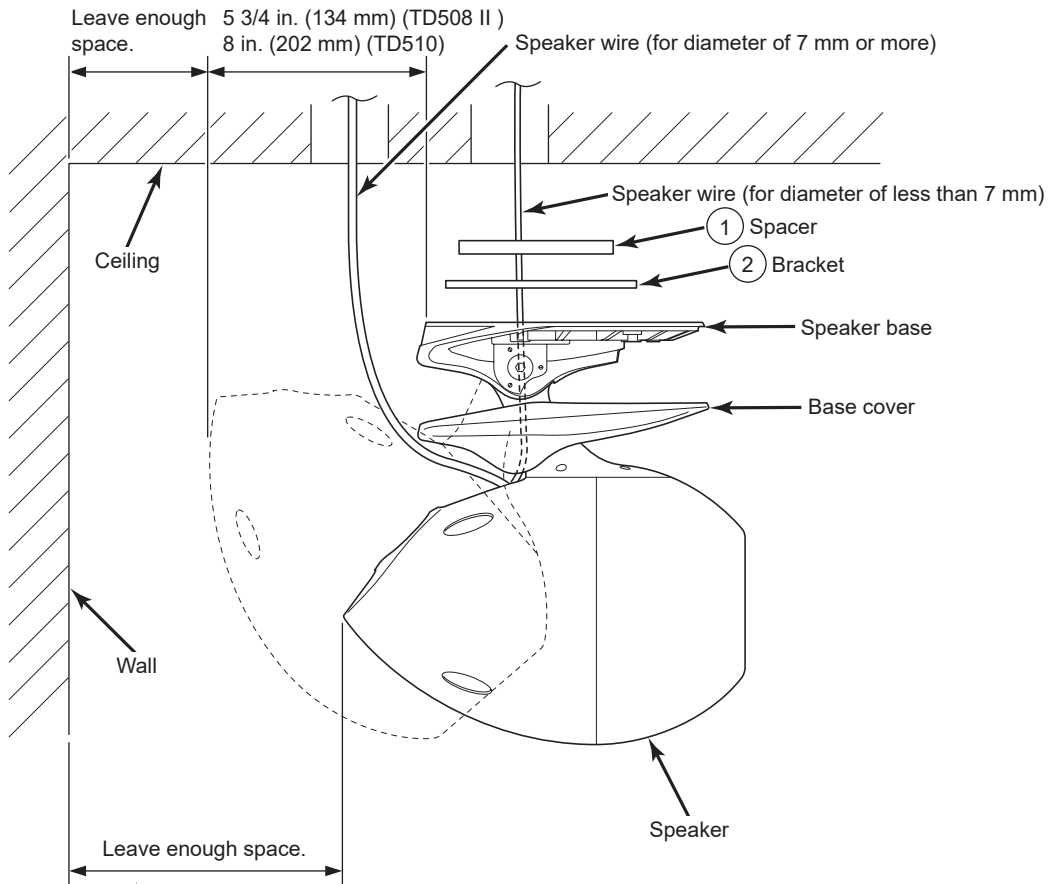
 **Caution**

- This product is a ceiling suspension bracket for TD508 II and TD510 speakers. Do not use it for any other applications, otherwise insecure installation could cause it to fall down and injury may result.
- Do not climb onto or hang from the product. Take particular care if children are around. If this is not observed, the speaker may fall down or tip over and cause serious injury.
- Do not drop or drag this unit while assembling or carrying it. Pushing over or dragging the product can result in an injury or cause damage to the floor.
- After installing the speaker, periodically check the angle bracket and speaker bracket for any looseness, and tighten them if required as a safety measure.

Cautions on use

- This product is a ceiling suspension bracket for speakers. Do not use it for other purposes.
- The speaker is heavy, so be careful when handling it.
- Be careful not to let the speaker fall from this product.
- Use a soft cloth soaked in neutral detergent to wipe the speaker if it becomes dirty. Do not use liquid solvents such as alcohol or thinner to clean this product.

When performing the installation



Caution

Caution

Be sure to leave some space in between the speaker and the wall so that the speaker and wall do not touch.

Installation

Installation	5
Adjusting the angle	6
Installation to a ceiling	7
Template for determining bracket installation position	12

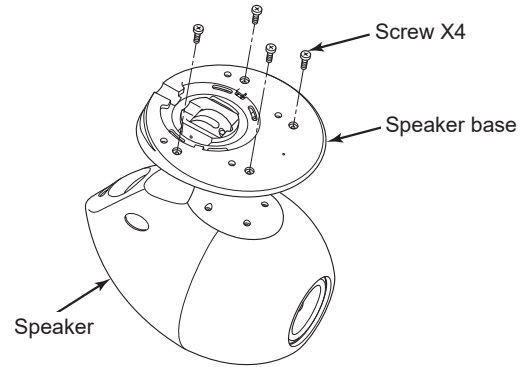
– Installation –

- 1 Remove the screws from the bottom of the speaker base.



Tip

The screws which are removed will not be used.
Give them to the customer to keep safely.

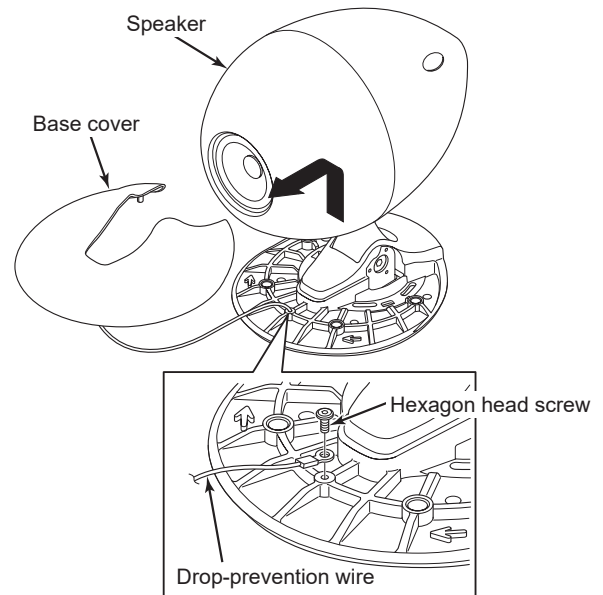


- 2 Remove the base cover.
- 3 Remove the hexagon head screw which is used for securing the base cover drop-prevention wire from the speaker.



Tip

The hexagon head screw which is removed will be used later. Be careful not to lose the hexagon head screw after removing it.

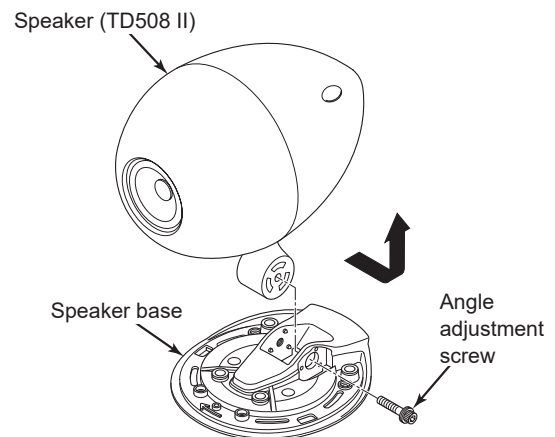


- 4 Remove the speaker from the speaker base.
(For TD508 II only)



Tip

For the TD510, do not remove the speaker from the speaker base.

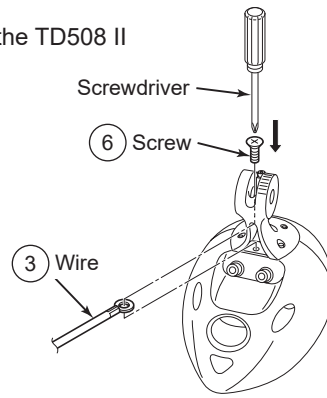


- 5 Install the wire to the speaker.
- 6 Install the speaker to the speaker base.
(For TD508 II only)

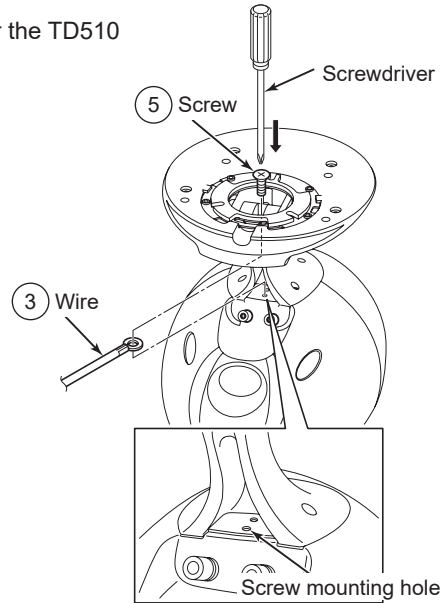
Caution

- TD508 II speakers only: Use the screw (binding M5 x 8) that is included with the bracket as the screw marked ⑥.
- Use the screws (binding M4 x 8) ⑤ for the TD510 speaker.
Make sure that the screw installation holes are correct.
- Be sure to attach the wire securely to the speaker and the ceiling so that the speaker does not fall down.

For the TD508 II



For the TD510

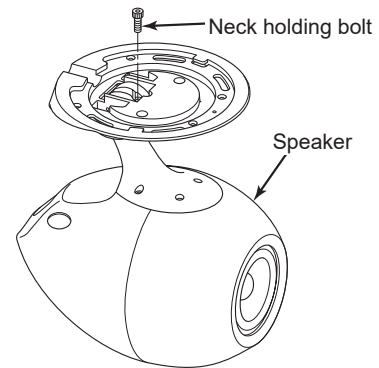


– Adjusting the angle –

- 7 Remove the neck holding bolt at the base of the speaker.

Tip

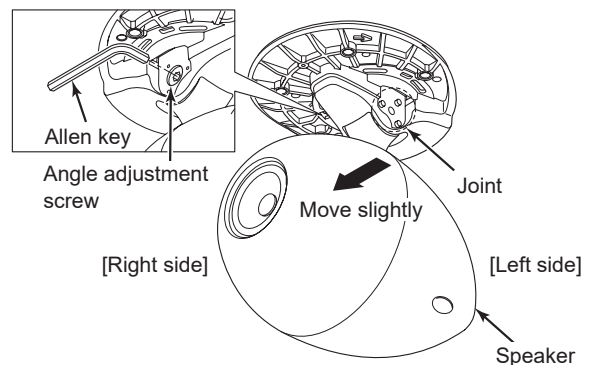
- The removed neck holding bolt will not be re-used.
- The neck holding bolt limits the angle of the speaker when the speaker is set up on the floor, and it prevents the speaker from tipping over. After removing it, give it to the customer to keep safely.



- 8 Use the Allen key which is supplied with the speaker to loosen the angle adjustment screw underneath the speaker.

Tip

- Turn the speaker upside-down when adjusting the angle of the speaker.
- The right side in the instructions signifies the right side of the speaker when looking at it from the front when it is in its normal position.

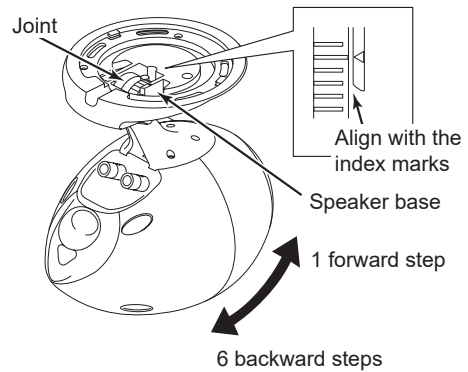


- 9 Slide the speaker to the right slightly to disengage the tabs of the joint.

10 Set the speaker to the desired angle.

Tip

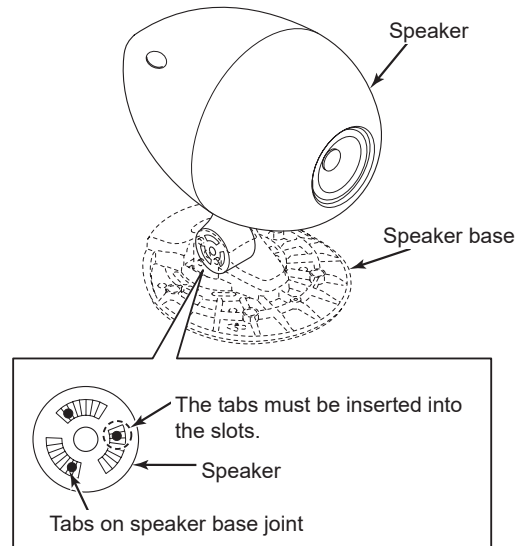
- When adjusting the angle of the speaker, align the ◀ mark at the base of the speaker with the index marks on the speaker. If the mark is not aligned with the index marks when adjusting the angle of the speaker, the joints of the speaker and speaker base will become damaged.
- The angle of the speaker can be adjusted to one forward position and six backward positions.
- Turn the speaker upside-down and move the speaker base to adjust the angle of the speaker.



11 Securely tighten the angle adjustment screw.

Caution

- The tabs on the joint of the speaker base should fit into the slots in the speaker as shown in the illustration. If the tabs are not inserted into the slots, the speaker will not be fully secured and it may fall down and damage may result.
- If the ◀ mark on the speaker base is aligned with the index marks on the speaker, then the tabs on the speaker base joint will be correctly aligned with the slots in the speaker.



– Installation to a ceiling –

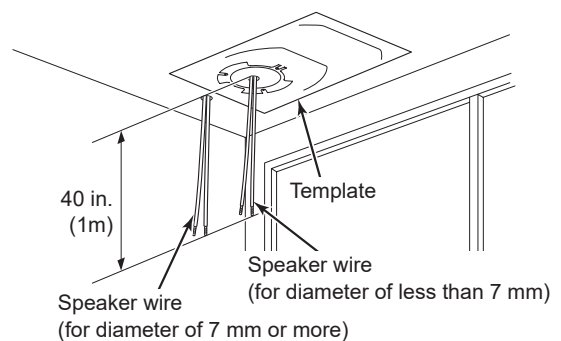
12 Use the template to determine the speaker installation position on the ceiling inside the room, and then use tape to attach the template to the ceiling.

Tip

Use scissors or similar to cut the template.

13 Use an awl or similar tool to mark the positions of the bracket mounting holes.

14 Remove the template from the ceiling.




15 Peel off the backing paper from the double-sided tape on the spacer, and attach the spacer to the bracket.

16 Install the bracket at the speaker installation position using the screws (sold separately).

Caution

- Install the bracket securely so that the speaker will not fall down.
- The screws which are used to install the bracket to the ceiling or wall are not provided with the bracket, so purchase them separately.
- When securing the bracket to the ceiling or wall with the screws, do not overtighten the screws, otherwise the bracket will become bent and it may not be possible to install the speaker. Take care during installation so that the screws do not become overtightened.

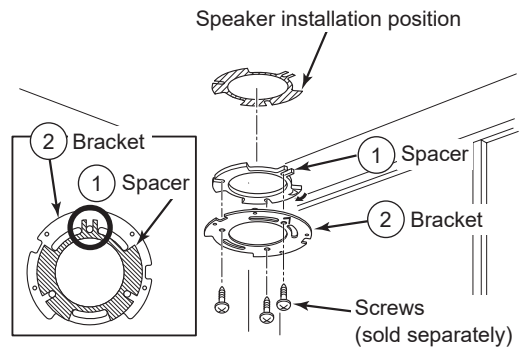
Tip

- When installing the bracket to the ceiling or wall, vary the positions and number of screws used in accordance with the strength of the ceiling or wall and the locations of beams.
- If the installation location is not strong enough when the standard installation holes are made, install more screws (sold separately) using the slits marked with  in order to increase the installation strength.

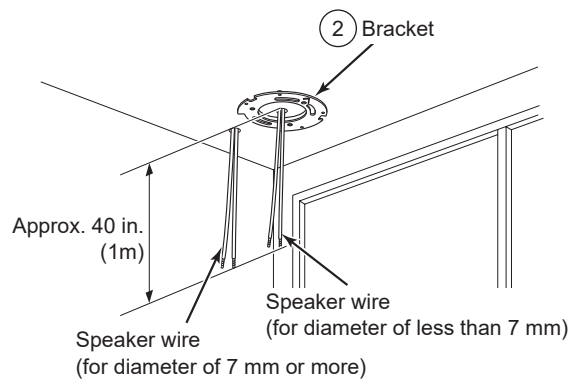
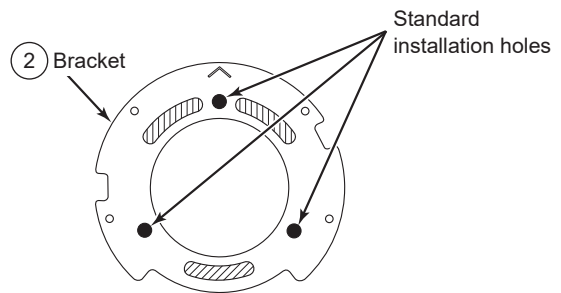
17 Route the speaker wires.

Tip

- To make it easier to connect the speaker wires to the speaker, leave about 40 inches (1 m) of speaker wire hanging out.
- If the speaker wires are routed through the middle of the bracket (2), it will improve the outer appearance. (for diameter of less than 7 mm)



Attach it to the side which does not have the [^] mark.

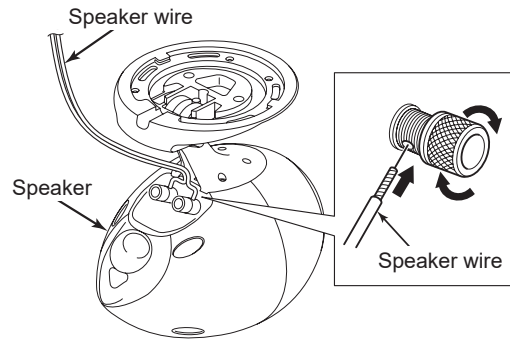


18 Connect the speaker wires to the speaker.

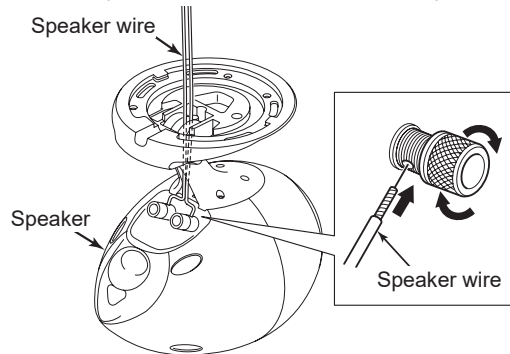
 **Tip**

- If the speaker wires are routed through the bracket and speaker neck, they will not easily be visible from outside which will improve the outer appearance of the speaker. (for diameter of less than 7 mm) ②
- When connecting the speaker wires, insert the ends of the speaker wires correctly so that they do not touch neighboring terminals.

Speaker wire (for diameter of 7 mm or more)



Speaker wire (for diameter of less than 7 mm)



19 Align the projections on the speaker with the slots in the bracket.

20 Turn the speaker to hook the projections on the speaker into the bracket to secure the speaker.

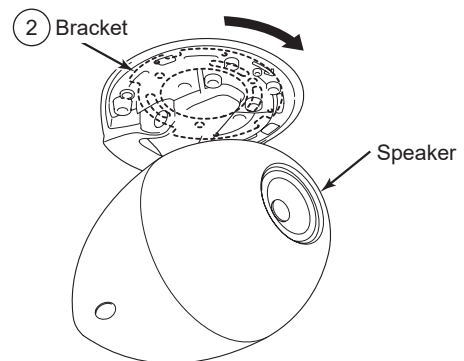
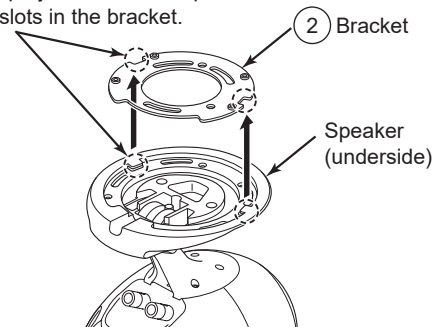
 **Caution**

- Align the projections on the speaker with the slots in the bracket, and then securely install the speaker to the bracket. If the speaker is not installed securely enough, it may fall down.
- Be careful not to clamp the speaker wires between the speaker, bracket or ceiling.

 **Tip**

When securing the speaker to the bracket, turn the speaker in the direction of the arrow marked on the speaker base. The illustration shows the TD508 II.

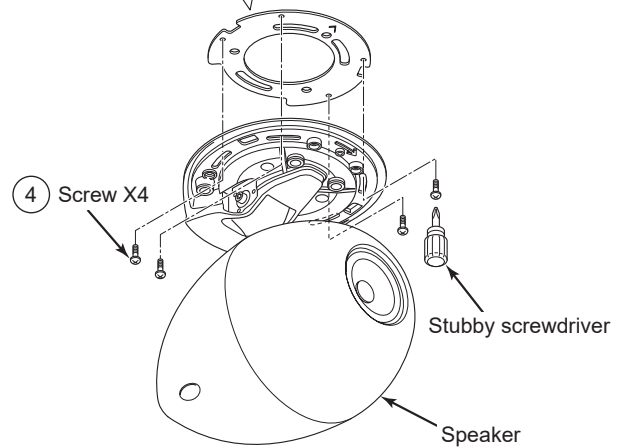
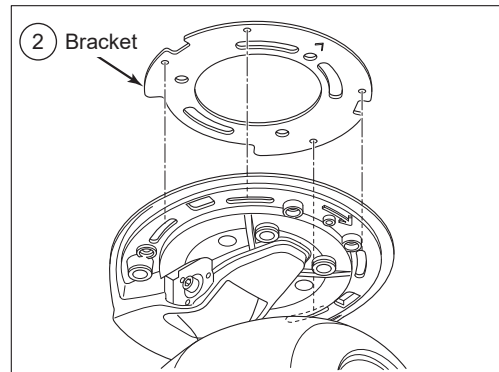
Align the projections on the speaker with the slots in the bracket.



- 21** Securely install the speaker to the bracket by using the stubby screwdriver to tighten the screws.

Caution

- The speaker can be adjusted to within 10° on each side by loosening the screws.
- When adjusting the direction of the speaker, only loosen the screws. They should never be removed. If all of the screws are removed, the speaker may fall down.



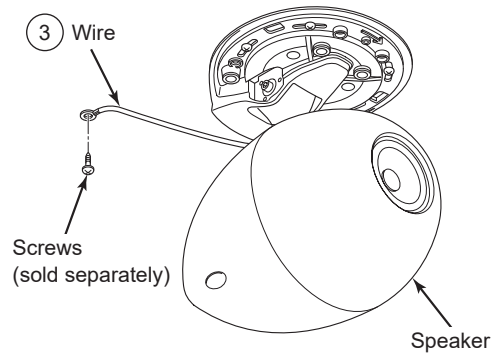
- 22** Install the drop-prevention wire to the ceiling.

Caution

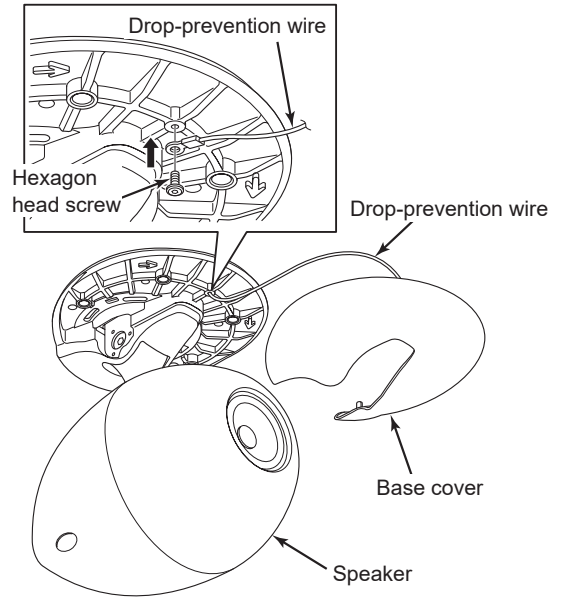
Install the drop-prevention wire securely to the ceiling so that the speaker will not fall down.

Tip

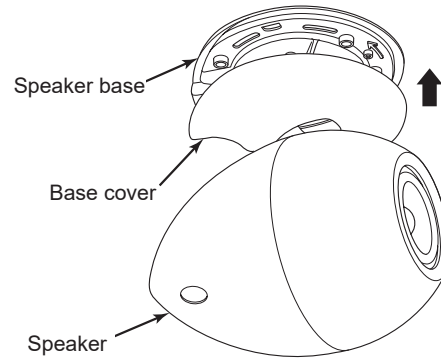
Install the drop-prevention wire to the ceiling in a place it can reach which is strong, such as a beam location.



- 23** Install the base cover drop-prevention wire to the speaker base by carrying out step **3** in reverse.



- 24** Install the base cover to the speaker base.



– Template for determining bracket installation position –

