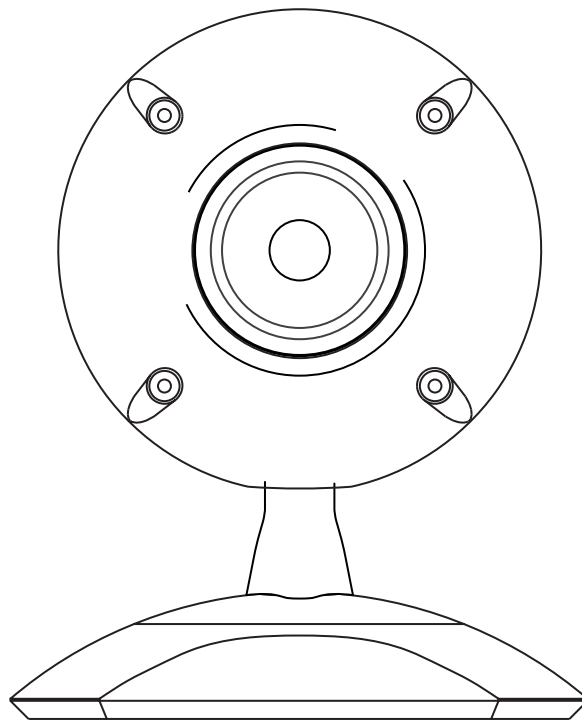


# ECLIPSE *TD*

## SPEAKER

# 508

## Owner's Manual



Thank you for purchasing the 508 speaker.

Please read this Owner's Manual before use.

Be particularly sure to read the Safety Instructions section.

Keep this Owner's Manual together with the Warranty in a safe place for later reference.

# Foreword

## Contents

Important Safety Instructions .....	13
Notes on Use .....	15
Part Names and Functions/Connections .....	16
Specifications .....	17

## Accessories

8 cm dia. speaker x2 [ 3 1/2" ]
Owner's Manual x1
Warranty x1

**WARNING :** To avoid the danger of suffocation, keep plastic bags out of the reach of children.

\* This product is speaker which has been designed using time domain.

《What is time domain theory?》

Time domain recreates the changes that occur in sound waves over time from the moment of output until their disappearance. Its purpose is to reproduce those sound waves that are as close as possible to the original recorded sound.

Time domain audio systems allow sound orientation and the nuances that are added by recorded performers to be faithfully reproduced.

# Important Safety Instructions

## WARNING

TO REDUCE THE RISK OF FIRE OR ELECTRIC SHOCK, DO NOT EXPOSE THIS APPLIANCE TO RAIN OR MOISTURE.

### 1. Read instructions

All safety and operating instructions should be read before operating unit.

### 2. Follow instructions

All operating and other instructions should be followed.

### 3. Retain instructions

The safety and operating instructions should be retained for future reference.

### 4. Warnings

All warnings on the unit and in the operating instructions should be adhered to.

### 5. General care of unit

Do not open or modify the unit as fire or electric shock may result. Do not place flower vases, potted plants, cups, cosmetics, drugs, containers holding liquids, or small metal objects on or near the unit. Do not place any objects on the unit and do not insert or drop metal, combustible objects or liquids into the unit as such actions can cause fire or electric shock. If liquid or foreign objects enter the unit, disconnect immediately since continued use may result in fire or electric shock. Do not place the unit on tuners, audio decks or other electric equipment. Do not use the unit as a step or seat. The unit may tip over and cause damage or injury. Consult a company customer service facility for interior inspection, adjustment or repair.

### 6. Where not to use unit.

Do not use the unit in bathrooms, areas exposed to rain or snow, on the shore, near water or in humid conditions. Do not place the unit in unstable locations, in kitchens, near humidifiers, or in any location with likely exposure to smoke or steam. Do not place the unit in direct sunlight, near heating equipment

or close to open flames. Fire, accident or malfunction may result. Do not place the unit in locations exposed to cold air or direct draft. Condensation, leakage current or thermal damage may result. Do not use the unit in dusty or dirty locations. Decreased heat ventilation can cause thermal damage or fire.

### 7. Unit heat

The bottom and sides of the unit can heat up during use and should not be touched. Burns may result.

### 8. Positioning

When setting up the unit, position the legs carefully and use a sturdy base. The use of flimsy racks can cause damage. Take care in handling.

### 9. Moving the unit

When moving the unit, shut off power to all connected equipment, and disconnect power cords, connection cables, speaker cables and other wires. Moving the unit while cables are connected can cause damage to cables, fire or electric shock. The unit is heavy and care should be taken when unpacking, moving or lifting.

Manufacturing also creates sharp areas on the unit; use thorough care in handling.

### 10. Danger signs

If you notice a strange noise, smoke, unusual odour or other abnormal condition, shut off the unit, disconnect the power cord from the outlet and have the unit inspected. Continued use may result in fire or electric shock.

### 11. Electric storms

During electrical storms disconnect the unit and avoid contact with the antenna and power cord. Lightning can cause fire, electric shock and malfunction.

## 12. Internal temperature rise

To avoid internal temperature rise, when installing the unit, leave space between the unit and walls or other equipment. When installed in a rack or similar fixture, leave a 10cm(4") or larger gap on top and at sides since internal temperature rise can result in fire.

## 13. Extended non-use

If the unit is likely to be unused for an extended period, shut off power and disconnect from power supply.

## 14. Volume Adjustment

If abnormal noise is produced during play at high volume, reduce the volume level. Distorted sound can cause overheating of speakers and amplifier. Before switching power supply on, set the amplifier volume to minimum. Sudden, loud noise can cause damage to hearing.

## 15. Maintenance

Before undertaking maintenance disconnect from power supply. Have the interior of the unit cleaned approximately once a year by qualified personnel. Accumulated dust inside and long intervals without cleaning can cause fire or malfunction. Before cleaning this product make sure that the power is turned off and the power cord is disconnected from the wall outlet. Clean with a soft cloth. If the product is particularly dirty, moisten the cloth and wring out before use. Complete by wiping with a soft, dry cloth. Do not use liquid solvents such as alcohol or thinner to clean this product, as such chemicals can damage the unit.

## 16. Servicing

The unit should be serviced by qualified personnel when:

- \* The power-supply cord or plug has been damaged, or
- \* Objects or liquid have entered the unit, or
- \* The unit has been exposed to rain; or
- \* The unit is malfunctioning, or
- \* The unit has been dropped or the cabinet has been damaged.

## 17. Children

Use particular care in households where children are present.

## 18. Temporary Fault

If this product receives a strong external shock (such as from an impact, static electricity or a power surge due to lightning), or if this product is used incorrectly, it may

stop working properly.

In such cases, press the power button of the amplifier which is connected to the main unit to turn the power off and then back on again, and check if this product is working normally.

# Notes on Use

## Volume Setting

Before switching ON minimise the volume. Sudden, large output can damage the speakers.

## Volume Etiquette

To avoid disturbance in your neighbourhood, enjoy your unit at an appropriate volume. Remember that at night, even low volume carries into surrounding areas. Help to maintain a pleasant living environment.

## Speaker Cord Connection

Always connect speaker systems with power OFF.

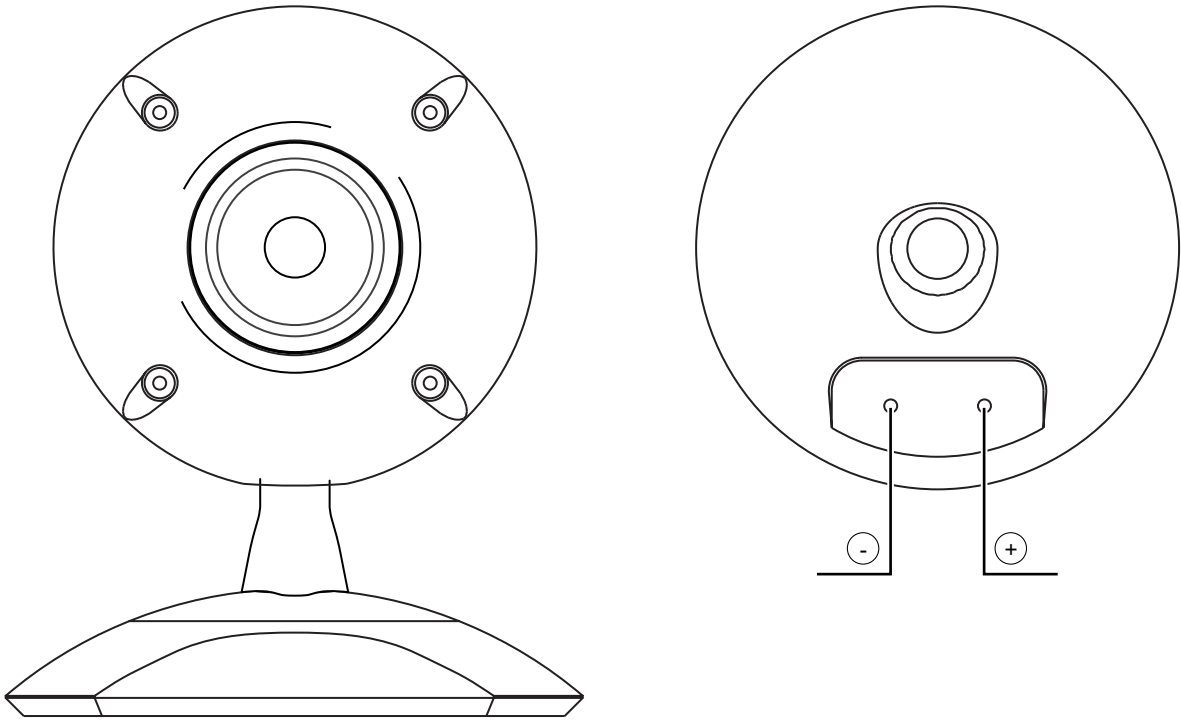
If a speaker cable is inadvertently shorted, the protection circuit in the amplifier will operate, and audio output will stop temporarily.

In this event, disconnect the power cord from the outlet, correct the shorted area and reconnect the power cord to the outlet.

## Usage With AV Amplifier

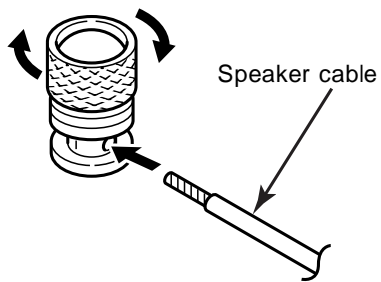
In case of the usage with AV Amplifier. Please make sure in advance that the speaker mode of AV Amplifier should be set to "Small" mode in order to protect the speaker system.

# Part Names and Functions/Connections



## , Speaker input terminals

When connecting the speakers, insert the ends of the speaker cables so that they do not touch neighbouring terminals.



# Specifications

## Specifications

Specifications and appearance are subject to change without prior notification.

Diameter:	8cm [ 3 <sup>1</sup> / <sub>2</sub> " ]
Type:	Bass ref/box
Input resistance:	Rated 12W/Maximum 24W ( with box )
Impedance:	8
Dimensions:	191mm(W)x221mm(D)x236mm(H) [ 7 <sup>1</sup> / <sub>2</sub> "(W)x8 <sup>11</sup> / <sub>16</sub> "(D)x9 <sup>5</sup> / <sub>16</sub> "(H) ]
Weight:	Approx. 2kg [ 4 <sup>1</sup> / <sub>2</sub> lbs ]

MOMO





