



508DMK3

MANUAL No. 090003-32300700

ENGLISH

OWNER'S MANUAL

- Thank you for purchasing this product.
- Please read this owner's manual before assembling and using the product.
- An accident or injury can result if the product is incorrectly assembled or unspecified parts are used.
- After assembly, keep this manual for future reference.

Contents

Before installation

Parts list	7
Safety guidelines	8
Checklist before use	8

Installation

Removing the speakers	9
Assembling the speaker stand	11
Connecting the speaker cable	12
Adjusting the speaker angle	12

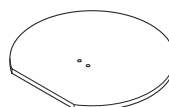
Parts list *Check that all of the following items are present*



1 Bracket X1



2 Column X1



3 Base plate X1



4 Pan head screw X4

FUJITSU TEN

Safety guidelines

The following WARNING and CAUTION signs are used throughout this owner's manual as well as on the product. These signs alert the installer and users of important safety information to avoid risk of injury and damages to the product. Make sure that you understand these signs thoroughly before reading this manual.



Warning

The instructions which follow this sign indicate situations where failure to follow the instructions may result in death or severe injury.



Caution

The instructions which follow this sign indicate situations where failure to follow the instructions could cause injury when using the product or physical damage to equipment and surroundings.



Tip

This section contains information that can help to prevent problems and damage to the unit, and also contain other useful information.



Warning

- Do not place this stand on a tall object or high shelf. If the stand were to fall, it could cause an injury.



Caution

- This stand is specifically for use with the TD508MK3 speaker. Do not use the stand for other purposes.
- Assemble the stand on a level surface. Placing the stand on an uneven surface can lead to accident or damage.
- Do not place the stand where people regularly move past it. Bumping into the stand can cause an injury.
- Place the stand on a solid and level floor. Installing the stand in a location that is unstable can cause it to fall and result in an injury.
- Do not drop or drag the stand when assembling or carrying it. Pushing over or dragging the stand can result in an injury or cause damage to the floor.
- Do not climb onto or hang from the stand. Be especially careful about children trying to do this. If the stand falls over it can cause an injury.
- The stand is heavy, so be sure 2 or more people cooperate in unpacking or moving it. Improper lifting can cause a back injury and dropping the stand can injure feet.

Checklist before use

- This is a stand for a speaker system. Avoid using the stand for other purposes.
- The stand is very heavy. Use caution when handling it.
- Be careful not to tip over the stand.
- Be careful that the speaker system does not fall from the stand.
- If the stand becomes dirty, clean it by lightly wiping with a soft cloth having a neutral cleaning solution on it. Do not use a substance like thinner or benzene.

Installation

– Removing the speakers –

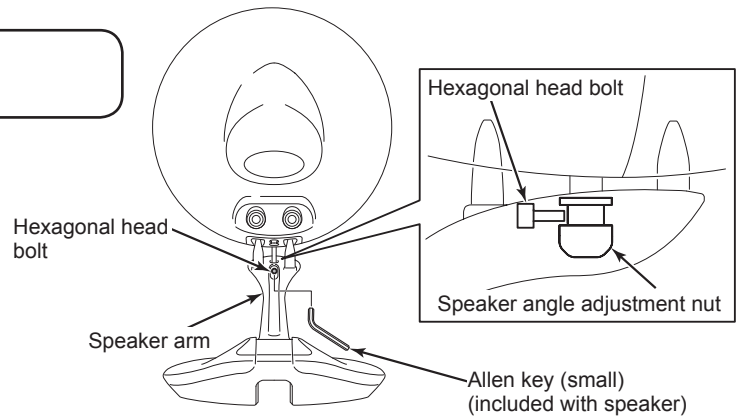
- 1 Remove the hexagonal head bolt from the speaker arm.

Rear view of the speaker



Tip

Keep the hexagonal head bolt for future use.



- 2 Spread a soft cloth over the floor in order to prevent damaging the surface of the speaker.

Caution

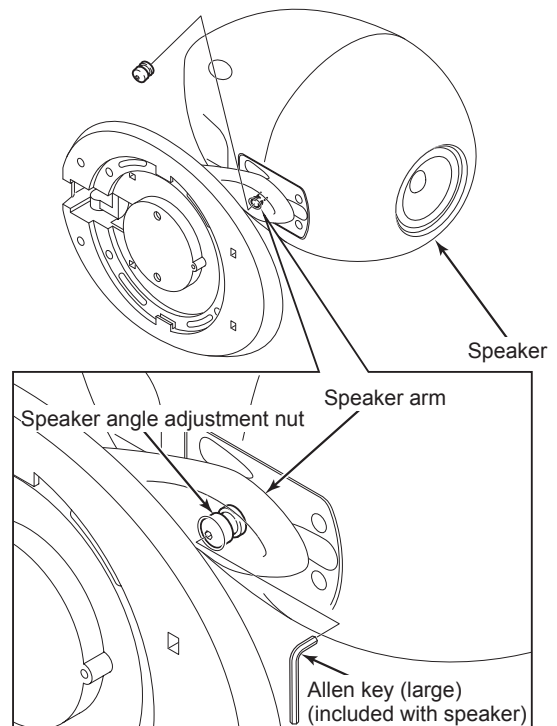
Do not touch the cone material while carrying out adjustments or the driver could be damaged.

- 3 Place the speaker on its side.
- 4 Remove the speaker angle adjustment nut from the speaker arm.



Tip

Retain the angle adjustment nut as it will be required to secure the speaker in position.



- 5 Stand the speaker upright.

Caution

Hold the speaker carefully while carrying out adjustment.

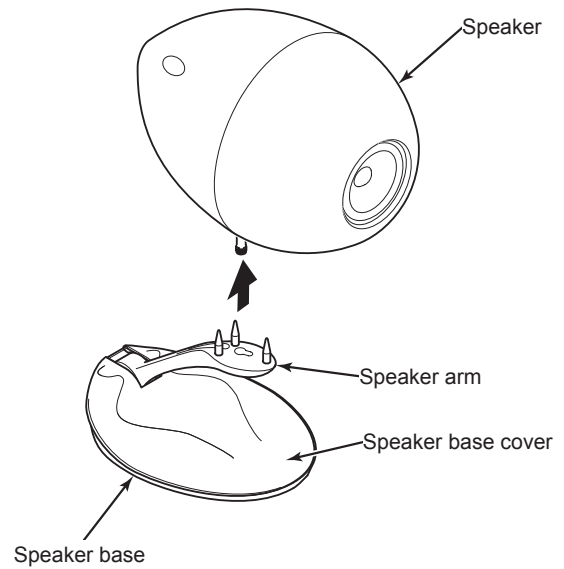
- 6 Lift up the speaker to remove it from the speaker arm.

Caution

- The speaker is heavy, so hold it firmly while removing it from the speaker arm.
- After removing the speaker, place it on a surface that will not mark it or allow it to roll around.

Tip

When fitting the stand, the whole base section is not used. Keep it for future use in case you wish to convert it back to pedestal design.



– Assembling the speaker stand –

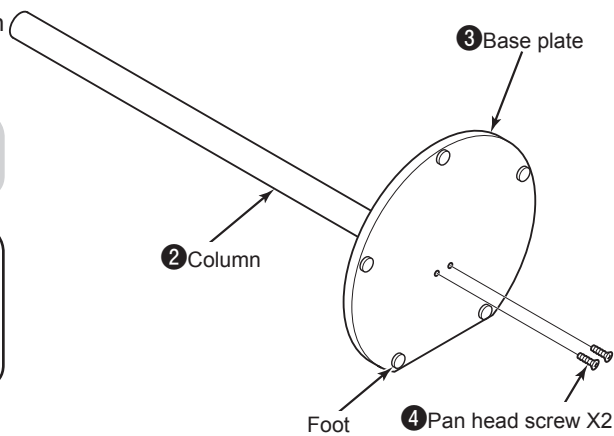
- 1** Assemble the base plate and the column using the pan head screws.

Caution

Securely tighten the pan head screws.

Tip

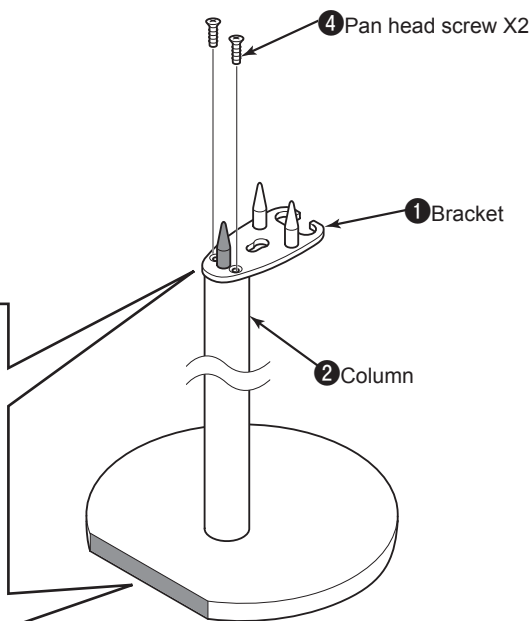
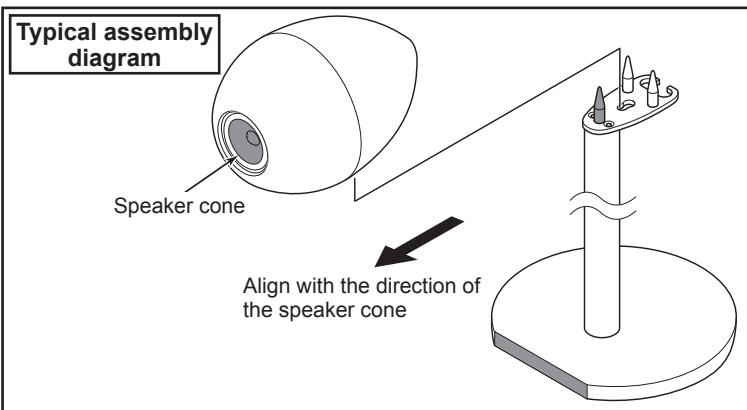
Fix the base plate to the column by fitting the two pan head screws in the shaped holes, with the round feet towards the floor.



- 2** Assemble the bracket and the column using the pan head screws.

Caution

- Be sure to assemble the bracket as shown in the illustration so that it faces as shown in the illustration at right. If it is fitted any other way, the stand will fall over, and damage to the speaker or personal injury may result.
- Securely tighten the pan head screws.



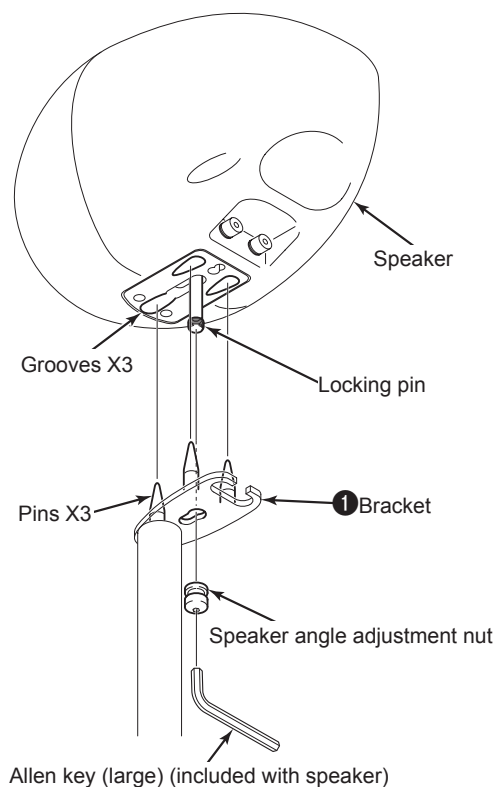
- 3** Insert the locking pin of the speaker into the hole in the bracket, and then tighten it using the speaker angle adjustment nut.

Caution

- Do not touch the cone material while carrying out adjustments or the driver could be damaged.
- Securely tighten the speaker angle adjustment nut.
- Be careful not to damage the base of the speaker when placing the speaker onto the stand.

Tip

- Insert the locking pin into the hole in the bracket, and align the three pins with the grooves in the speaker.
- Before the speaker angle adjustment nut is tightened, the angle of the speaker can be adjusted. For details, refer to "Adjusting the speaker angle" on the next page.

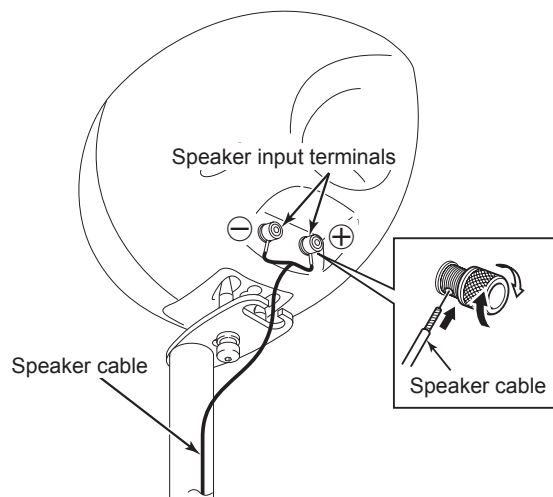


– Connecting the speaker cable –

- 1 Insert the bare ends of the speaker cable into the holes in the speaker input terminals and secure them in place.

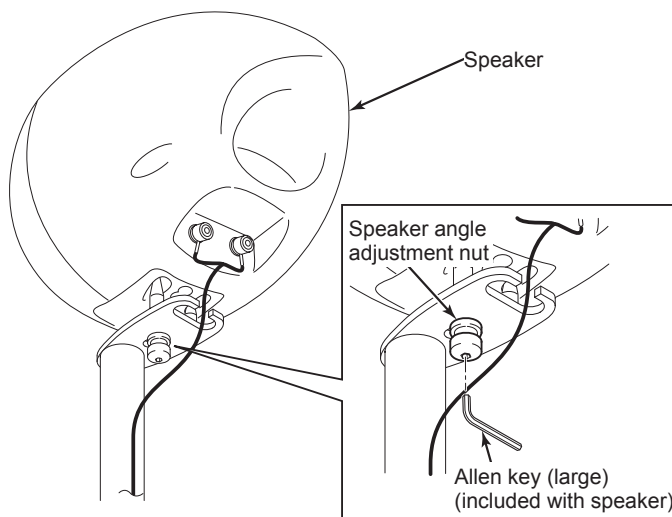
Caution

When connecting the speaker wires, insert the bare ends of the speaker wires correctly so that they do not touch neighboring terminals, otherwise it may cause short-circuits.



– Adjusting the speaker angle –

- 1 Loosen the speaker angle adjustment nut.



- 2 Adjust the speaker to the desired angle.

Caution

Be careful not to let the speaker stand fall over while adjusting the angle.

Tip

The angle of the speaker can be adjusted within the range of +15° to -10°.

- 3 Tighten the speaker angle adjustment nut.

Caution

Securely tighten the speaker angle adjustment nut.

